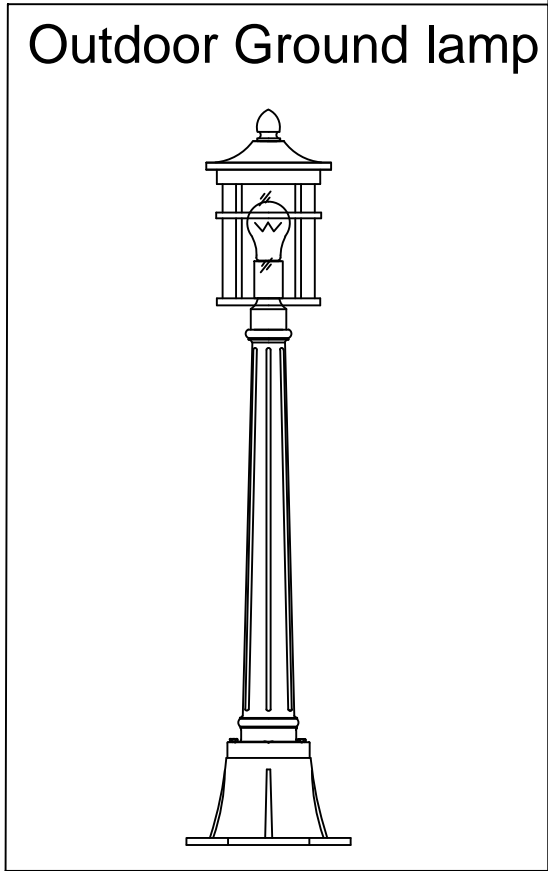
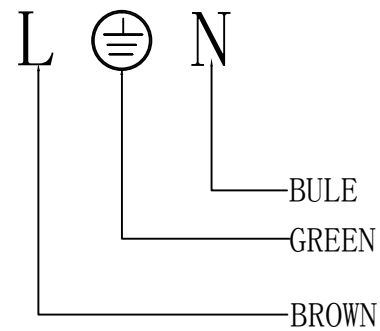
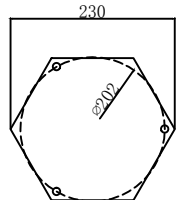
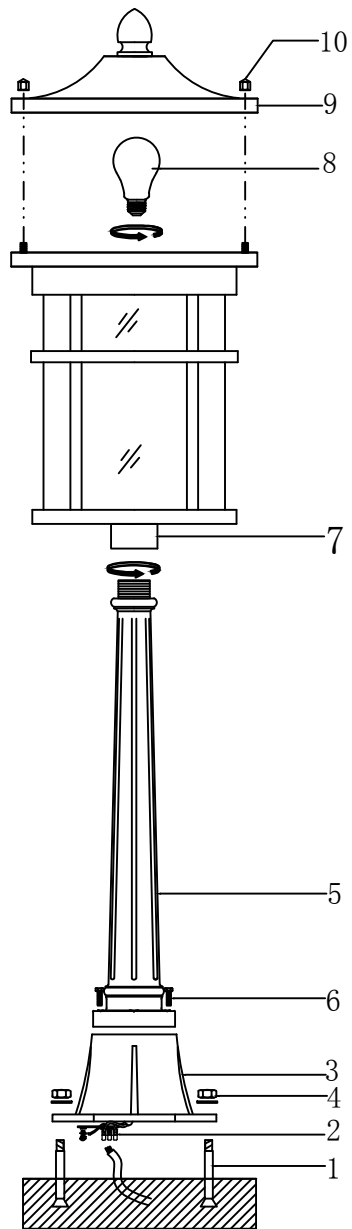



INSTALLATION INSTRUCTION ODEON LIGHT NATURE 4044/1F



 **1 x E27(60w)**