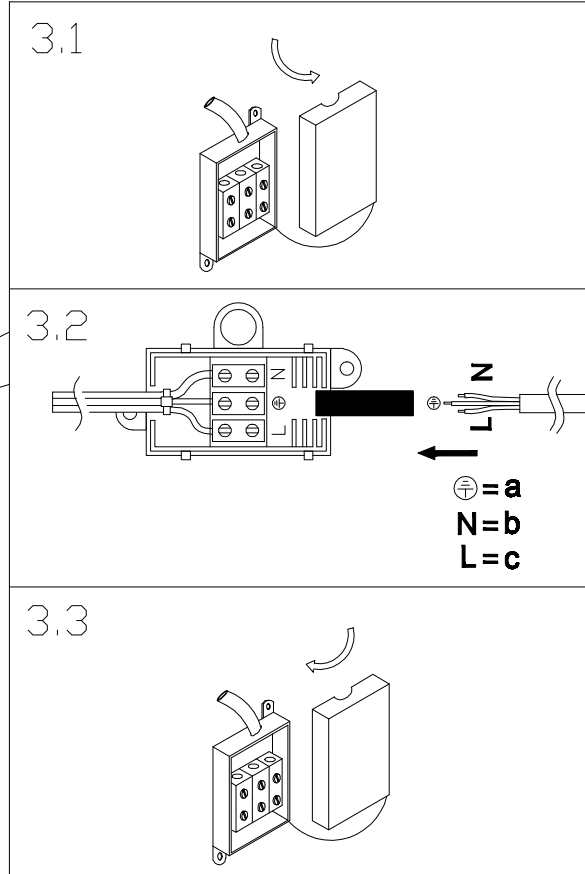
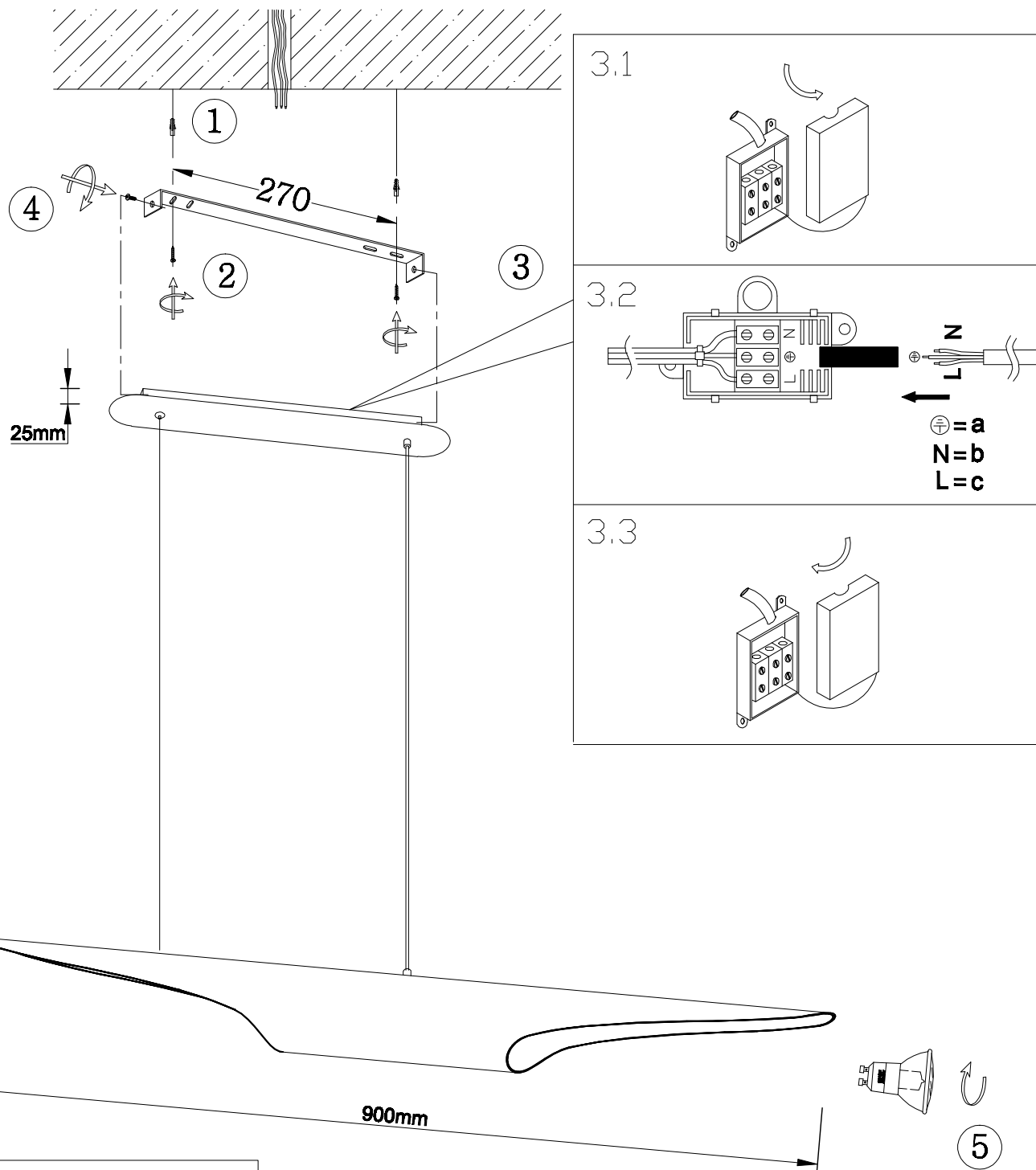
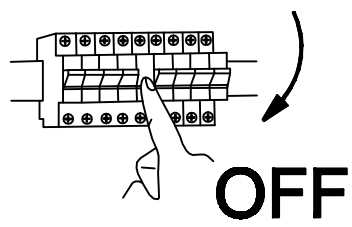
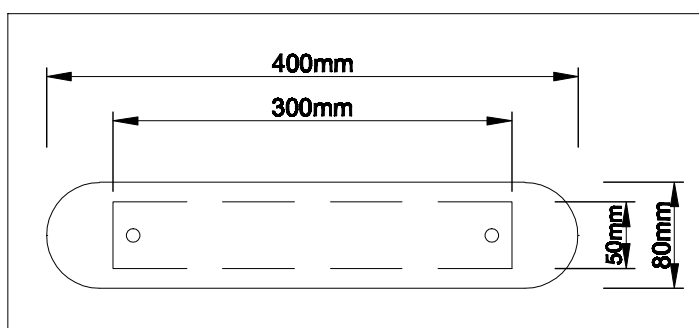
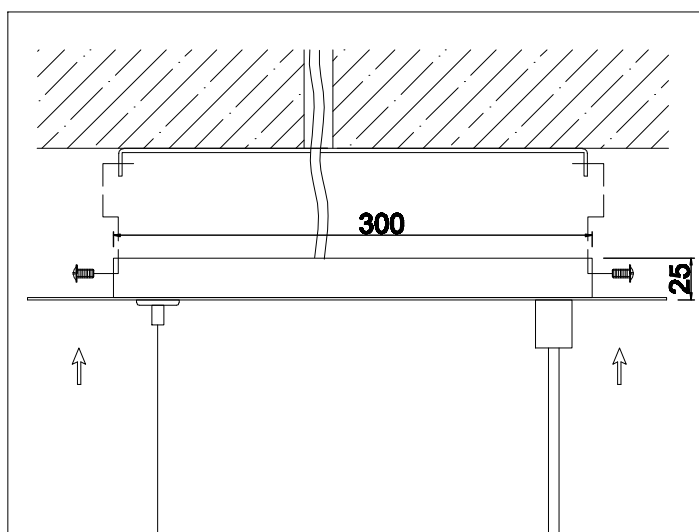


# INSTALLATION INSTRUCTION ODEON LIGHT COLLECTION HIGHTECH 3816/50BG

**A**



**B**



**C**

