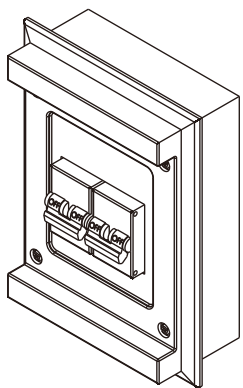


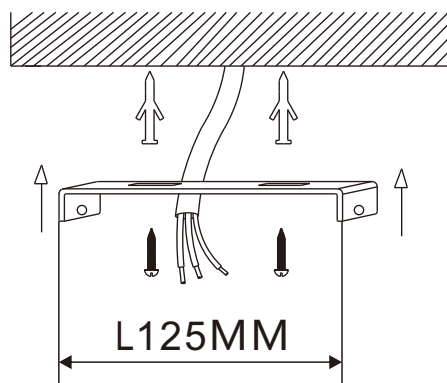
INSTALLATION INSTRUCTION ODEON LIGHT COLLECTION PENDANT.3353/1,3354/1

1

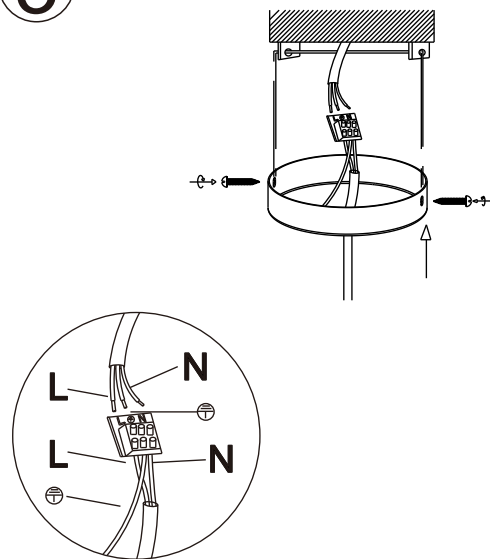
OFF



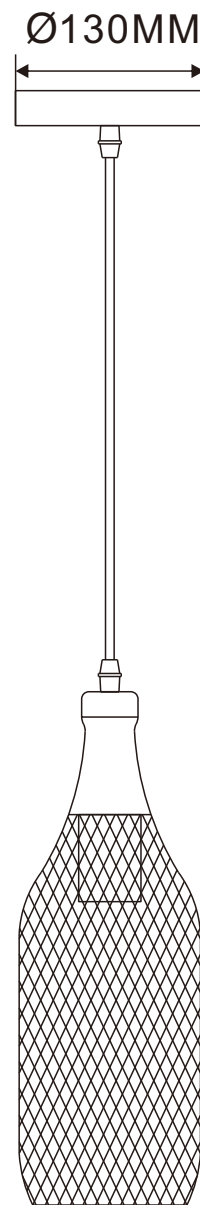
2



3



4



5

ON

