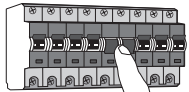
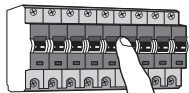
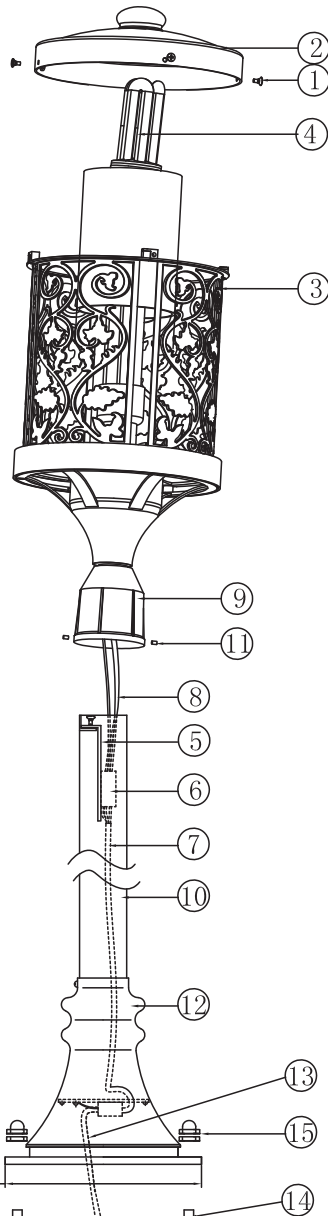


INSTALLATION INSTRUCTION ODEON LIGHT COLLECTION NATURE 2286/1A 2287/1A



OFF



ON

200MM

